

REPAIR PARTS MANUAL

MODEL NO. HU500N22SH

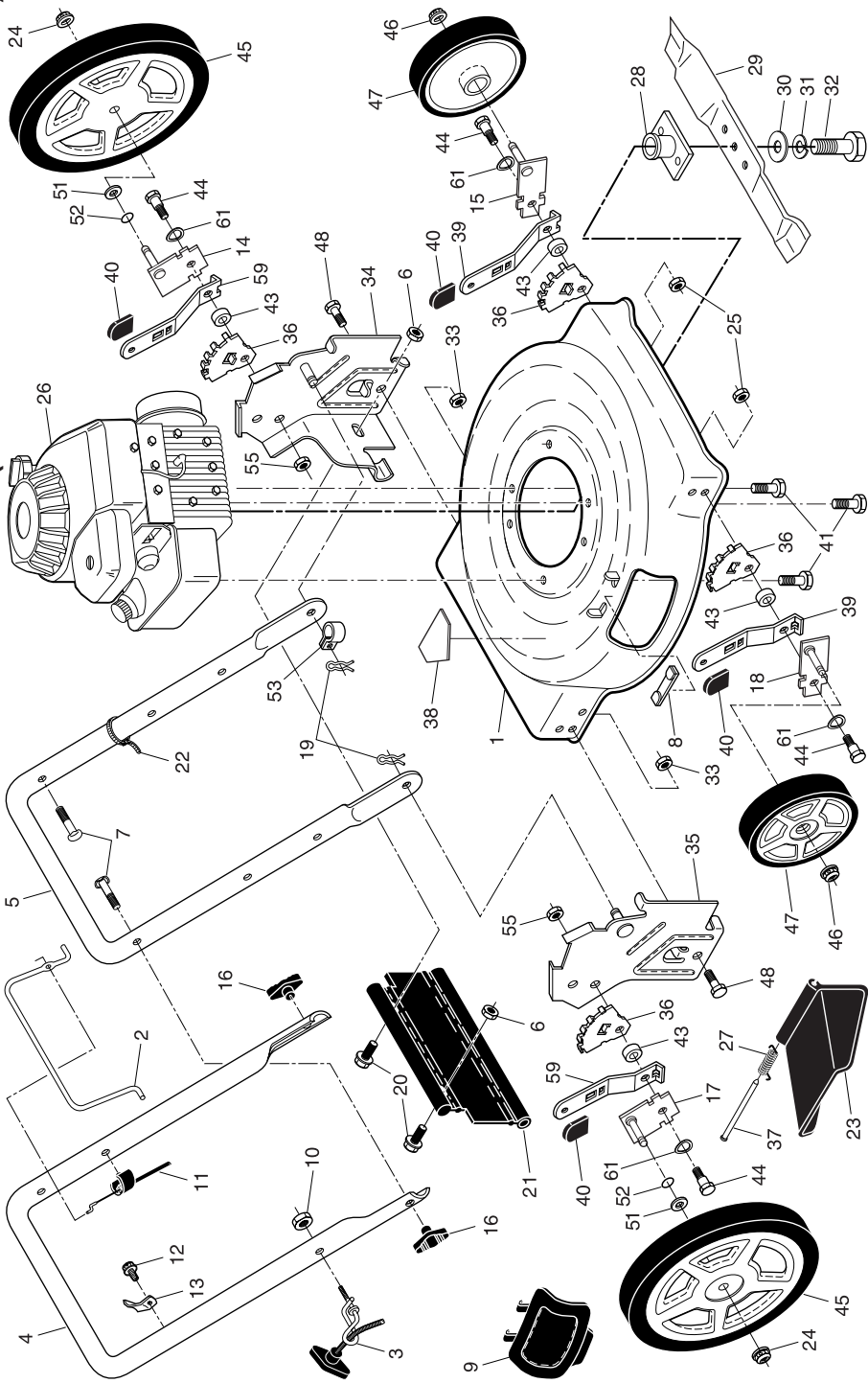
MFG. ID. NO. 96112007500

Rotary Lawn Mower

For Parts and Service, contact our authorized distributor: call 1-800-849-1297
For Technical Assistance: call 1-800-829-5886

HUSKIE®

ROTARY LAWN MOWER -- MODEL NUMBER HU500N22SH (MFG. ID. NUMBER 96112007500)



ROTARY LAWN MOWER - - MODEL NUMBER HU500N22SH (MFG. ID. NUMBER 96112007500)

KEY PART NO.	DESCRIPTION	KEY PART NO.	DESCRIPTION
1	164865	28	851514
2	194177X428	29	406713
3	194788	30	851074
4	194179X479	31	850263
5	169708X479	32	851084
6	73800400	33	73800500
7	191574	34	193083X479
8	161622	35	193082X479
9	160830	36	407494X005
10	132004	37	160833
11	183281	38	404763
12	750634	39	401621X004
13	86899X004	40	87877
14	401176X004	41	150406
15	401174X004	43	401629
16	189713X428	44	401638
17	401177X004	45	193926X427
18	401175X004	46	409148
19	51793	47	193931X427
20	74760412	48	74760514
21	413160	51	88348
22	66426	52	197480
23	160831	53	197991
24	409149	55	751153
25	166785	59	401624X004
26	---	61	401630
		--	404764
		--	193732
		--	193735
		--	425927
27	408585		

NOTE: All component dimensions given in U.S. inches. 1 inch = 25.4 mm.

IMPORTANT: Use only Original Equipment Manufacturer (O.E.M.) replacement parts. Failure to do so could be hazardous, damage your lawn mower and void your warranty.

LIMITED WARRANTY

The Manufacturer warrants to the original consumer purchaser that this product as manufactured is free from defects in materials and workmanship. For a period of two (2) years from date of purchase by the original consumer purchaser, we will repair or replace, at our option, without charge for parts or labor incurred in replacing parts, any part which we find to be defective due to materials or workmanship. This Warranty is subject to the following limitations and exclusions.

1. This warranty does not apply to the engine, transaxle/transmission components, battery (except as noted below) or components parts thereof. Please refer to the applicable manufacturer's warranty on these items.
2. Transportation charges for the movement of any power equipment unit or attachment are the responsibility of the purchaser. Transportation charges for any parts submitted for replacement under this warranty must be paid by the purchaser unless such return is requested by the manufacturer.
3. Battery Warranty: On products equipped with a Battery, we will replace, without charge to you, any battery which we find to be defective in manufacture, during the first ninety (90) days of ownership. After ninety (90) days, we will exchange the Battery, charging you 1/12 of the price of a new Battery for each full month from the date of the original sale. Battery must be maintained in accordance with the instructions furnished.
4. The Warranty period for any products used for rental or commercial purposes is limited to 45 days from the date of original purchase.
5. This Warranty applies only to products which have been properly assembled, adjusted, operated, and maintained in accordance with the instructions furnished. This Warranty does not apply to any product which has been subjected to alteration, misuse, abuse, improper assembly or installation, delivery damage, or to normal wear of the product.
6. Exclusions: Excluded from this Warranty are belts, blades, blade adapters, normal wear, normal adjustments, standard hardware and normal maintenance.
7. In the event you have a claim under this Warranty, you must return the product to an authorized service dealer.

Should you have any unanswered questions concerning this Warranty, contact:

HOP
Customer Service Department
1030 Stevens Creek Road
Augusta, GA 30907 USA

In Canada contact:
HOP
Customer Service Department
5855 Terry Fox Way
Mississauga, Ontario L5V 3E4

giving the model number, serial number and date of purchase of your product and the name and address of the authorized dealer from whom it was purchased.

THIS WARRANTY DOES NOT APPLY TO INCIDENTAL OR CONSEQUENTIAL DAMAGES AND ANY IMPLIED WARRANTIES ARE LIMITED TO THE SAME TIME PERIODS STATED HEREIN FOR OUR EXPRESSED WARRANTIES.

Some areas do not allow the limitation of consequential damages or limitations of how long an implied Warranty may last, so the above limitations or exclusions may not apply to you. This Warranty gives you specific legal rights, and you may have other rights which vary from locale to locale.

This is a limited Warranty within the meaning of that term as defined in the Magnuson-Moss Act of 1975.

HUSKIE®